

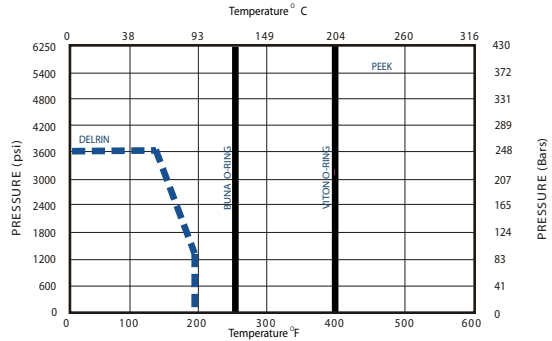


Style T3 Class 1500 NPT

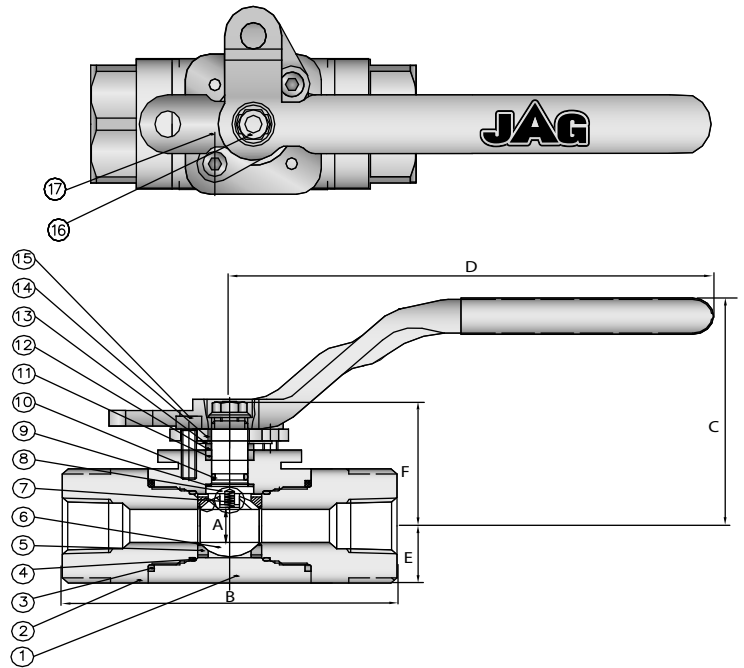
A105N/LF2 - 3705 PSI
F316SS - 3600 PSI

Product Features

- 3 Piece Threaded Construction
- Full or Regular Port
- ASME B16.34
- NACE MR0175
- Blowout-Proof Stem
- Anti-static Stem
- NPT Ends to ANSI B1.20.1
- Fire Safe Design to API 607
- Locking Device
- Forged Construction



No.	PART	QTY	SERVICE			
			STANDARD	NACE	LOW TEMP NACE	STAINLESS STEEL
1	BODY	1	A105	A105N	A350-LF2	A182-F316
2	CAP	2	A105	A105N	A350-LF2	A182-F316
3	GASKET	2	GRAPHITE	GRAPHITE	GRAPHITE	GRAPHITE
4	O-RING	2	BUNA	VITON	VITON	VITON
5	SEAT	2	DELRIN	DELRIN	DELRIN	DELRIN
6	BALL	1	304 SS	316 SS	316 SS	17-4 ph
7	ANTI-STATIC SPRING	1	304 SS	304 SS	304 SS	304 SS
8	STEM	1	AISI 4140	17-4 ph	17-4 ph	17-4 ph
9	THRUST WASHER	1	DELRIN	DELRIN	DELRIN	DELRIN
10	O-RING	1	BUNA	VITON	VITON	VITON
11	PACKING	1	GRAPHITE	GRAPHITE	GRAPHITE	GRAPHITE
12	PACKING FOLLOWER	1	304 SS	304 SS	304 SS	304 SS
13	BELLEVILLE WASHER	1	304 SS	304 SS	304 SS	304 SS
14	GLAND FLANGE	1	WCB	WCB	WCB	WCB
15	GLAND BOLT	2	STAINLESS STEEL	STAINLESS STEEL	STAINLESS STEEL	STAINLESS STEEL
16	HANDLE NUT	1	CARBON STEEL	CARBON STEEL	CARBON STEEL	STAINLESS STEEL
17	HANDLE	1	CARBON STEEL	CARBON STEEL	CARBON STEEL	STAINLESS STEEL



Size		Bore	A		B		C		D		E		F	
in	mm		in	mm	in	mm	in	mm	in	mm	in	mm	in	mm
1/4"	6.4	FP	0.50	12.7	3.86	98.0	3.26	82.8	6.50	165.1	0.87	22.1	1.70	43.2
3/8"	9.5	FP	0.50	12.7	3.86	98.0	3.26	82.8	6.50	165.1	0.87	22.1	1.70	43.2
1/2"	12.7	FP	0.50	12.7	3.86	98.0	3.26	82.8	6.50	165.1	0.87	22.1	1.70	43.2
3/4"	19.1	RP	0.50	12.7	4.37	111.0	3.26	82.8	6.50	165.1	0.87	22.1	1.70	43.2
		FP	0.75	19.0	4.25	108.0	3.67	93.2	8.46	214.9	1.08	27.4	2.23	56.6
1"	19.1	RP	0.75	19.0	4.50	114.3	3.67	93.2	8.46	214.9	1.08	27.4	2.23	56.6
		FP	1.00	25.4	5.25	133.4	3.93	99.8	8.46	214.9	1.28	32.5	2.49	63.2
1 1/4"	31.8	RP	1.00	19.0	6.43	163.3	3.93	99.8	8.46	214.9	1.28	32.5	2.49	63.2
		FP	1.50	38.0	6.26	159.0	5.30	134.6	10.00	254.0	1.79	45.5	3.52	89.4
1 1/2"	38.1	RP	1.00	19.0	6.43	163.3	3.93	99.8	8.46	214.9	1.28	32.5	2.49	63.2
		FP	1.50	38.0	6.26	159.0	5.30	134.6	10.00	254.0	1.79	45.5	3.52	89.4
2"	50.8	RP	1.50	38.0	6.75	171.5	5.30	134.6	10.00	254.0	1.79	45.5	3.52	89.4
		FP	2.00	50.8	6.25	158.8	6.30	160.0	12.40	315.0	2.30	58.4	4.84	122.9
3"	76.2	RP	2.00	50.8	10.00	254.0	6.30	160.0	12.40	315.0	2.30	58.4	4.84	122.9

We reserve the right to modify dimensions or materials.

Dimensions +/- 0.059 in (+/- 1.5mm)

JAG Flocomponents USA, Ltd.

12315 Parc Crest Drive, Suite 190
 Stafford, Texas 77477

Tel: 281-933-5775 Fax: 281-933-5779

PRINTED IN CANADA
 08/03/2006 QTY1000

US T315N-1205

